

CritiCool Transportation Kit

Innovative Solution for Cooling Therapy During Transport

Therapeutic hypothermia has emerged as state-of-the-art treatment for neonates with HIE, for survivors of Cardiac Arrest and many other Ischemic Brain applications. As a result, clinicians must have a reliable and controlled method to cool these patients during transport to centers with Targeted Temperature Management programs.

MTRE has developed a device to make the CritiCool available for use during both ground and air transports. The device secures the CritiCool to the floor of the transport vehicle and has been designed according to International Standards to withstand the forces likely to be encountered in event of a collision. The Transport Device enables connecting the CritiCool easily, promising zero movement during transport and allowing easy detachment upon arrival to treatment facility.



***SIMPLY SET, WRAP & COOL
For AMBULANCES and MEDICAL AIRCRAFT***

CritiCool Transportation Kit

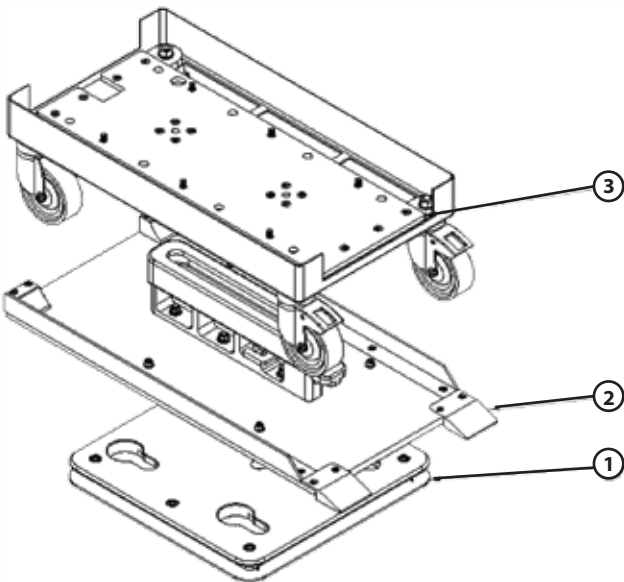
CritiCool Transportation Kit Unit

The CritiCool can be assembled easily in any Ambulance, or Helicopter or AirCraft allowing initiation of Thermoregulation treatment as soon as possible, en-route to the hospital.

The kit includes 3 components (P/N: 200-00440):

1. Ambulance Floor Key-lock Assembly (can be bought separately, P/N: 200-02101)
2. Trolley Assembly
3. CritiCool Lower Lock Mount Assembly

The kit carries G Static Load Testing (20G) and has been designed to safely install the CritiCool inside Ambulances/Aircrafts. The special Ambulance Floor Bracket accepts the CritiCool Mount Assembly in 4 directions and the CritiCool can be locked inside the mount in two directions.



- Small foot-Print & Minimal Tube Cluttering
- Early treatment initiation
- Minimal staff labor
- Precise temperature control
- Maximal energy transfer

The special design allows maximum flexibility in finding the "installation spot" for easy, hassle-free attachment and detachment.

